

# CR-15iA (Hollow wrist)



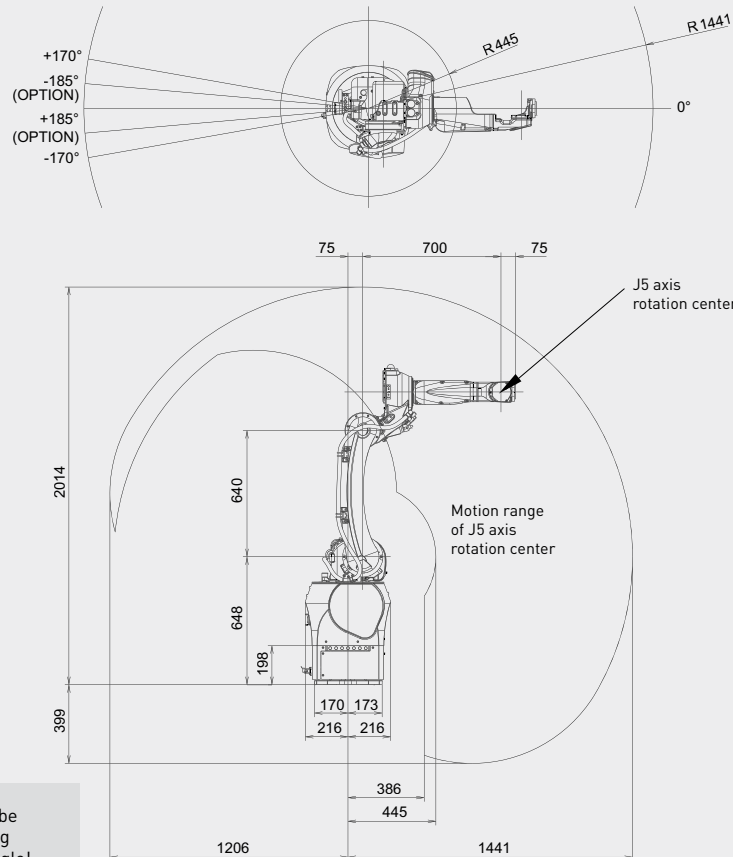
Max. load capacity  
at wrist: **15 kg**



Max. reach:  
**1441 mm**

| Controlled axes | Repeatability (mm) | Mechanical weight (kg) | Motion range (°) |     |     |     |     |     | Maximum speed (mm/s) | J4 Moment/Inertia (Nm/kgm <sup>2</sup> ) | J5 Moment/Inertia (Nm/kgm <sup>2</sup> ) | J6 Moment/Inertia (Nm/kgm <sup>2</sup> ) |
|-----------------|--------------------|------------------------|------------------|-----|-----|-----|-----|-----|----------------------|--|--|--|
|                 |                    |                        | J1               | J2  | J3  | J4  | J5  | J6  |                      |  |  |  |
| 6               | ± 0.02*            | 255                    | 340              | 180 | 305 | 380 | 280 | 900 | 800 / 1500*2         | 26.0/0.90                                | 26.0/0.90                                | 11.0/0.30                                |

## Working range



Motion range may be restricted according to the mounting angle!



## Robot

|                               | CR-15iA   |
|-------------------------------|-----------|
| Robot footprint [mm]          | 346 x 346 |
| Mounting position Floor       | ●         |
| Mounting position Upside down | ●         |
| Mounting position Wall *3     | ●         |



## Controller

|                  | R-30iB Plus |
|------------------|-------------|
| Open air cabinet | -           |
| Mate cabinet     | -           |
| A-cabinet        | ●           |
| B-cabinet        | -           |
| iPendant Touch   | ●           |

## Electrical connections

|                                |         |
|--------------------------------|---------|
| Voltage 50/60Hz 3phase [V]     | 380-575 |
| Voltage 50/60Hz 1phase [V]     | -       |
| Average power consumption [kW] | 1       |

## Integrated services

|  |     |
|--|-----|
| Integrated signals on upper arm In/Out | 7/5 |
| Integrated air supply                  | 1   |

## Environment

|                           |      |
|---------------------------|------|
| Acoustic noise level [dB] | < 70 |
| Ambient temperature [° C] | 0-45 |

## Protection

|                                  |      |
|----------------------------------|------|
| Body standard/optional           | IP54 |
| Wrist & J3 arm standard/optional | IP67 |

\*1) In case of short distance motion, the speed may not reach the maximum value stated.

\*2) if the area is monitored by a safety sensor (located separately)

\*3) In case of the wall mount, the operation space will be restricted according with the payload.

● standard ○ on request - not available ( ) with hardware and/or software option

\*Based on IS09283